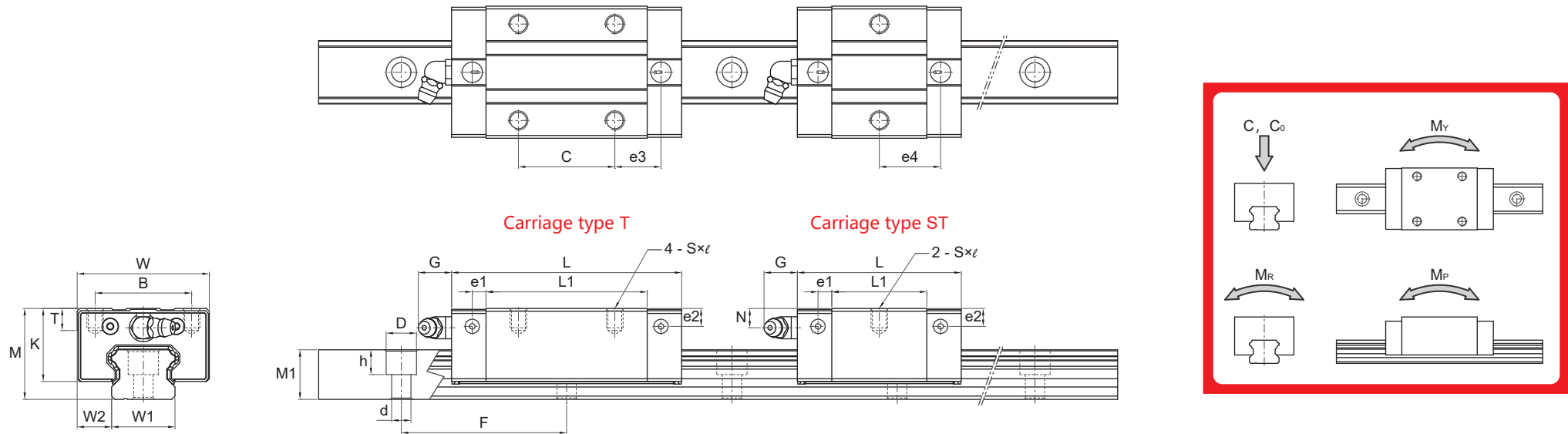


## Dimensions of LMG...ST / T



Model No.	External dimension			Carriage dimension													Rail dimension				Basic load rating		Static moment rating				Weight			
	Height	Width	Length	B	C	Mounting hole S×ℓ	L1	T	K	N	e1	e2	e3	e4	G	Grease nipple	Width	Height	Pitch	Mounting bolt hole	Dynamic	Static	Mp (KN·m)		My (KN·m)		Mr	Carriage	Rail	
	M	W	L														W1	W2	M1	F	D×h×d	C KN	C0 KN	Single Carriage	Double Carriages	Single Carriage	Double Carriages	KN·m	Kg	Kg/m
LMG15 ST	24	34	40.7	26	-	M4×5	22	6	19.5	5	3.3	4	-	14.8	5	M4×0.7	15	9.5	13	60	7.5×5.3×4.5*	7.3	9.4	0.03	0.27	0.03	0.27	0.07	0.09	1.29
LMG15 T	24	34	58.2	26	26	M4×5	39.5	6	19.5	5	3.3	4	10.6	-	5	M4×0.7	15	9.5	13	60	7.5×5.3×4.5*	11.8	18.9	0.13	0.76	0.13	0.76	0.15	0.15	1.29
LMG15 LT	24	34	72.6	26	34	M4×5	53.6	6	19.5	5	3.3	4	13.7	-	5	M4×0.7	15	9.5	13	60	7.5×5.3×4.5*	14.4	25.2	0.23	1.29	0.23	1.29	0.2	0.21	1.29
LMG20 ST	28	42	47.4	32	-	M5×6	24.9	6	23.4	6.5	4.5	5	-	17	12	M6×0.75	20	11	15	60	9.5×8.5×6	11.7	14.8	0.07	0.52	0.07	0.52	0.15	0.15	1.92
LMG20 T	28	42	75	32	32	M5×6	52.5	6	23.4	6.5	4.5	5	14.8	-	12	M6×0.75	20	11	15	60	9.5×8.5×6	20	32	0.30	1.68	0.30	1.68	0.33	0.28	1.92
LMG25 ST	33	48	59.5	35	-	M6×7	34.5	6	26.5	7	5	6.5	-	22.3	12	M6×0.75	23	12.5	18	60	11×9×7	19.2	24.8	0.16	1.07	0.16	1.07	0.30	0.26	2.67
LMG25 T	33	48	83.6	35	35	M6×7	58.6	6	26.5	7	5	6.5	16.8	-	12	M6×0.75	23	12.5	18	60	11×9×7	27.9	42.5	0.44	2.47	0.44	2.47	0.51	0.41	2.67

\*1. Rail mounting holes for M3 bolt (6×4.5×3.5) and M4 bolt (7.5×5.3×4.5) are available for LMG15 rail. The codes of rail type are LMG15R for M4 bolt, and LMG15U for M3 bolt.